

Back

- o Flat Cable Connectors SEK
- o *har-mik®*
- o D-Sub
- o InduCom

➔ Applications



Product details

09 20 003 2711

Female insert, Han 3 A

Series	Han A®
Number of contacts	3 poles + PE
Size of hood/ housing	Han® 3 A
Termination	Screw termination
Insert material	Standard material
Contacts	Inclusive
Electrical data	10 A 230/400 V 4 kV 3
RoHS compliant	Yes

Available Downloads

Title	Format	
Data sheet	PDF	↕ download
CAD data 2D	DXF	↕ download
CAD data 3D	IGES	↕ download
CAD data 3D	STEP	↕ download

Inquiry

5

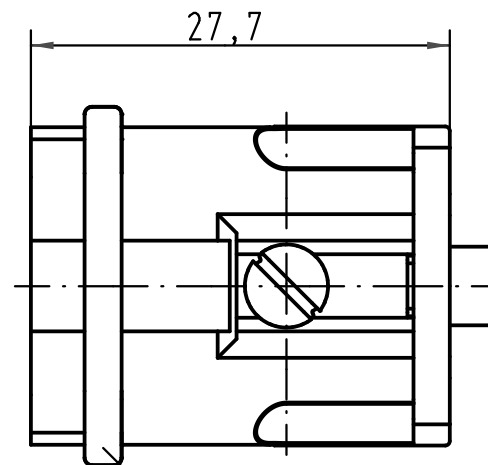
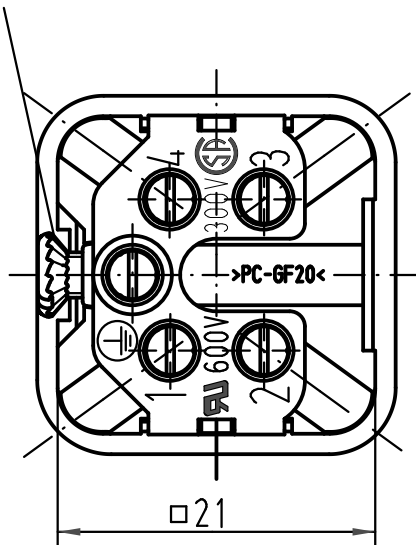
4

3

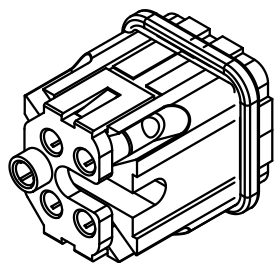
2



1

Senkschraube M3x6-4.8
lose beigelegt
countersunk screw M3x6-4.8
seperated enclosed



Dichtung/
sealing



 All Dimensions in mm Original Size DIN A 4			Techn. Character.			Nicht tolerierte Masse/ Free size tolerances			
				Dat.	Name	Massstab/ Scale 2:1	Han 4A-M Stifteinsatz/male insert		
413664	14.02.08	Rull	Detail.	27.01.93	WILD				
410629	28.11.03	ML	Insp.		HERB				
410228	18.10.02	Loe.	Stand.						
27851	28.06.00	Pae	HARTING Electric GmbH & Co. KG				TB 09 20 004 2611		
25852	16.04.99	PL	D-32339 Espelkamp						
Mod.	Dat.	Name							
							Sub. f. TB 09 20 004 2611 v. 01.10.92	Blatt/ page	

D

C

B

A